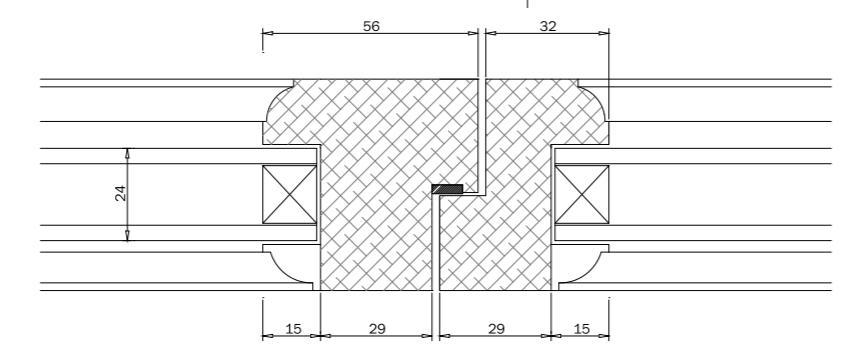
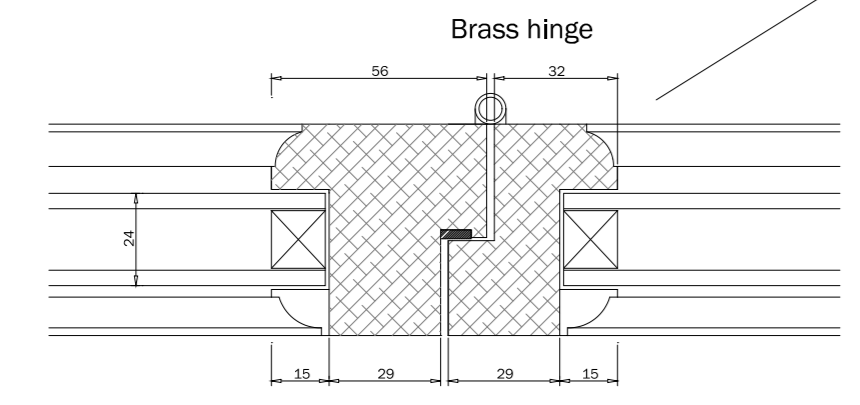
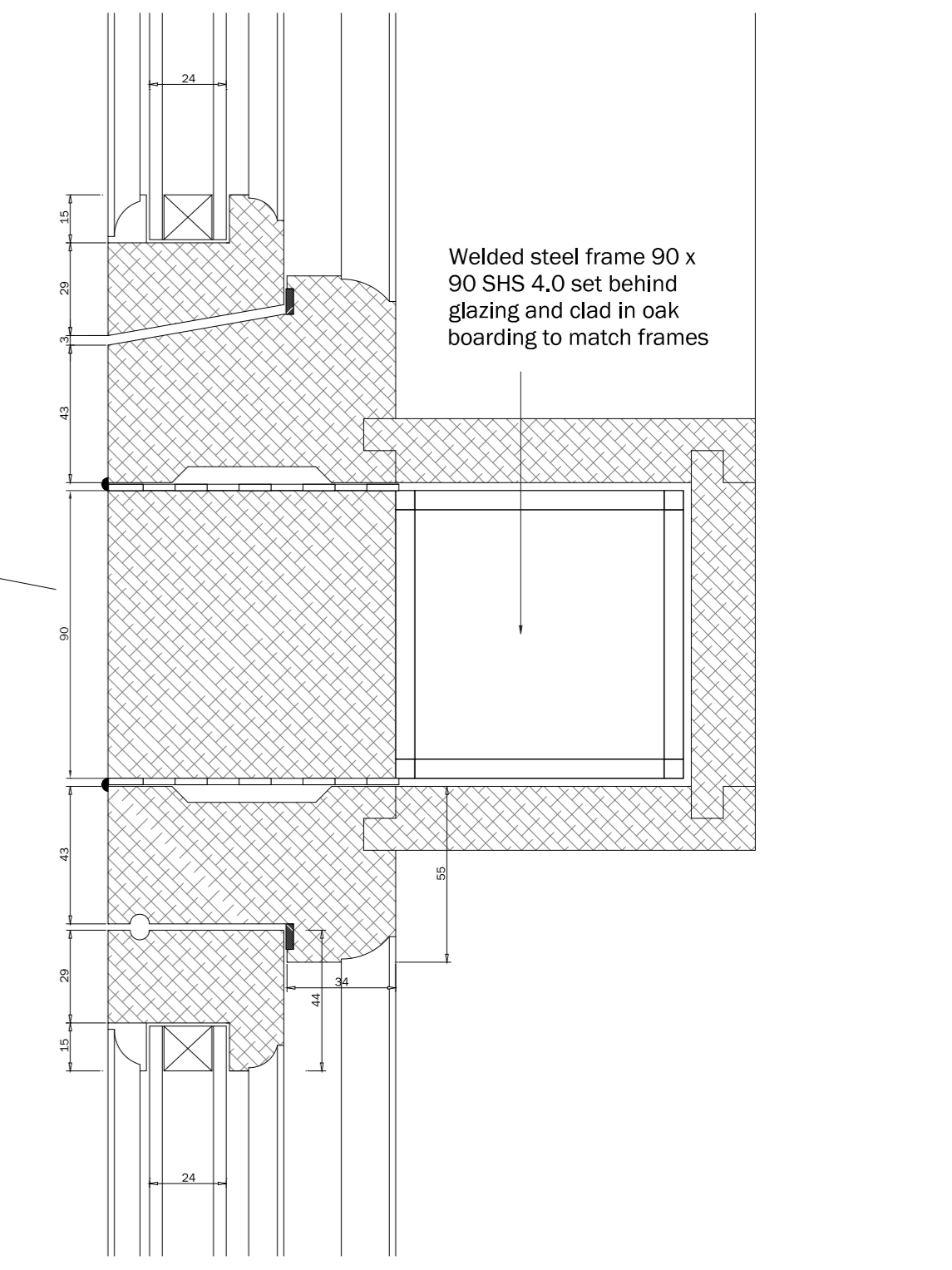
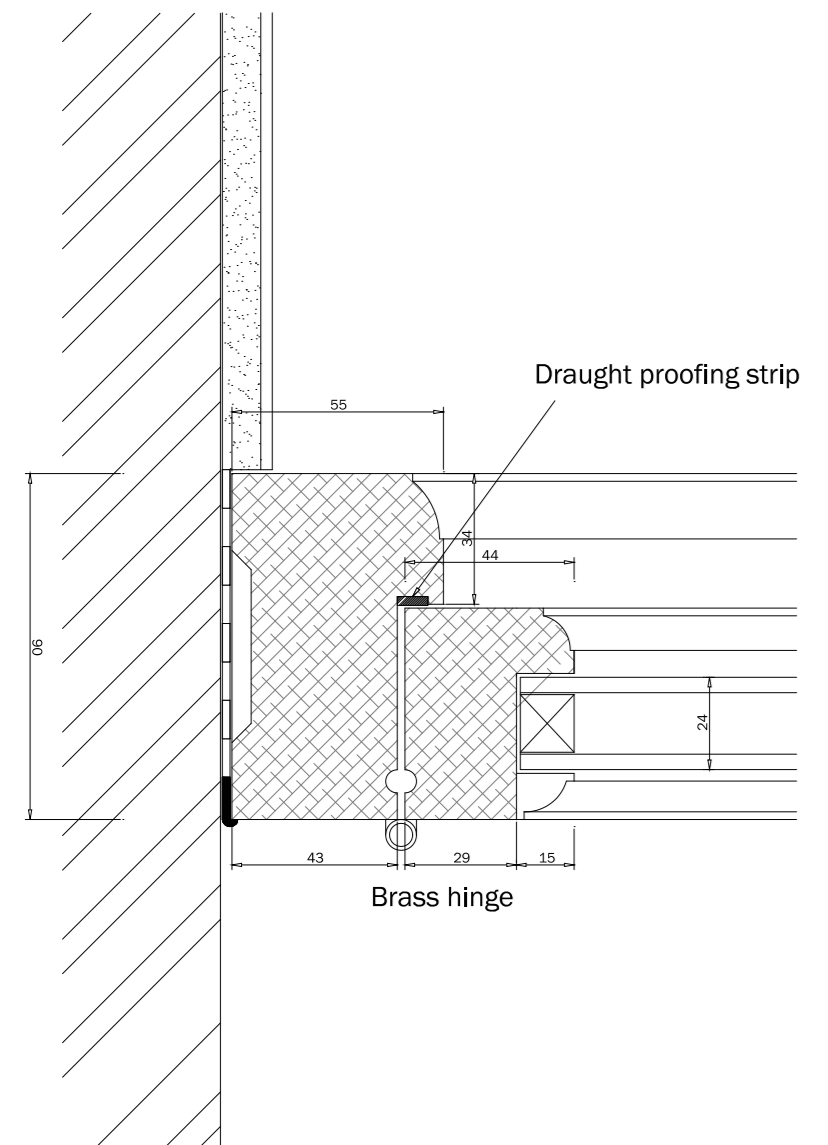
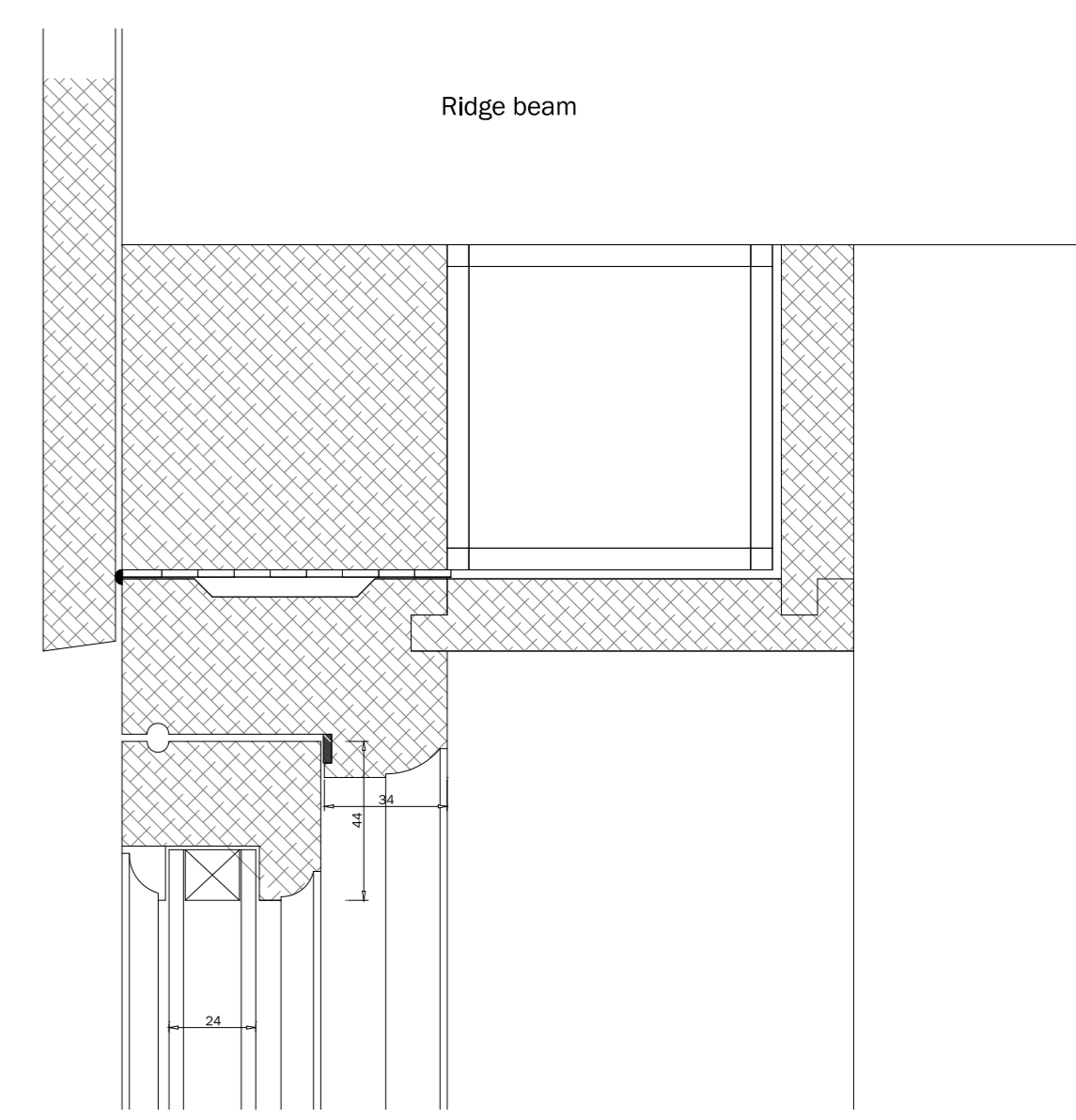
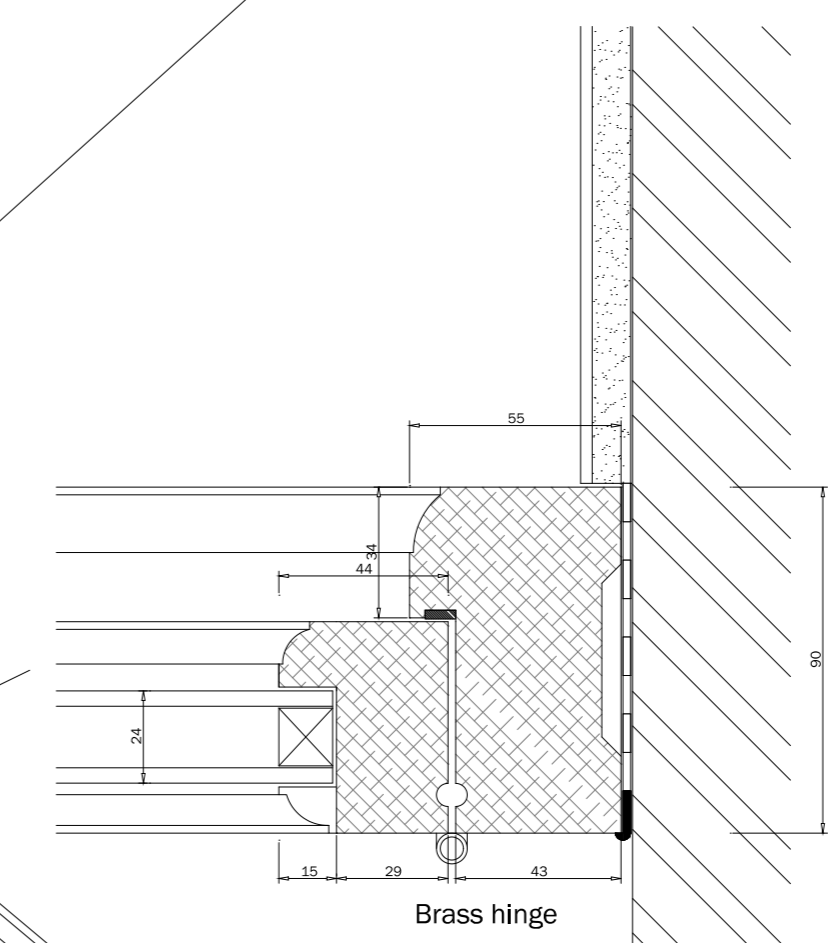


Glazed section
Use 150 x 47mm C24 rafters at 560mm centres. Provide 2no 150 x 50 timber ring beam cut to accommodate roof pitch, over valley blades and trimmers. Elevated glazing to receive 'Exitex' Ankorglaze glazing system with condensation control incorporated. Double glazed units to give minimum 1.8w/m²k 'U' value. External pane to be Pilkington 'Activ' self-cleaning glass. All external elements are powder coated high tensile aluminium, colour to match adjoining leadwork.



Timber glazing bead

Timber glazing bead. Bottom glazing bead to be vented and drained as NHBC requirements

sand & cement sub cill

DPC tray

Cill Board or tile

Glazing Details

Richard Court Architectural & Interior design	Darville Cottage Station Road Lower Heyford Oxfordshire OX255PD Tel: 07930 633459 Email: richardcourt@road.fabusiness.co.uk	Location:	Horn Hill Cottage, Horn Hill Road West Adderbury	Revision:	
		Job No:	RCAD0344/25	A	
		Client:	Clarke	B	
		Date:	February 2008	C	